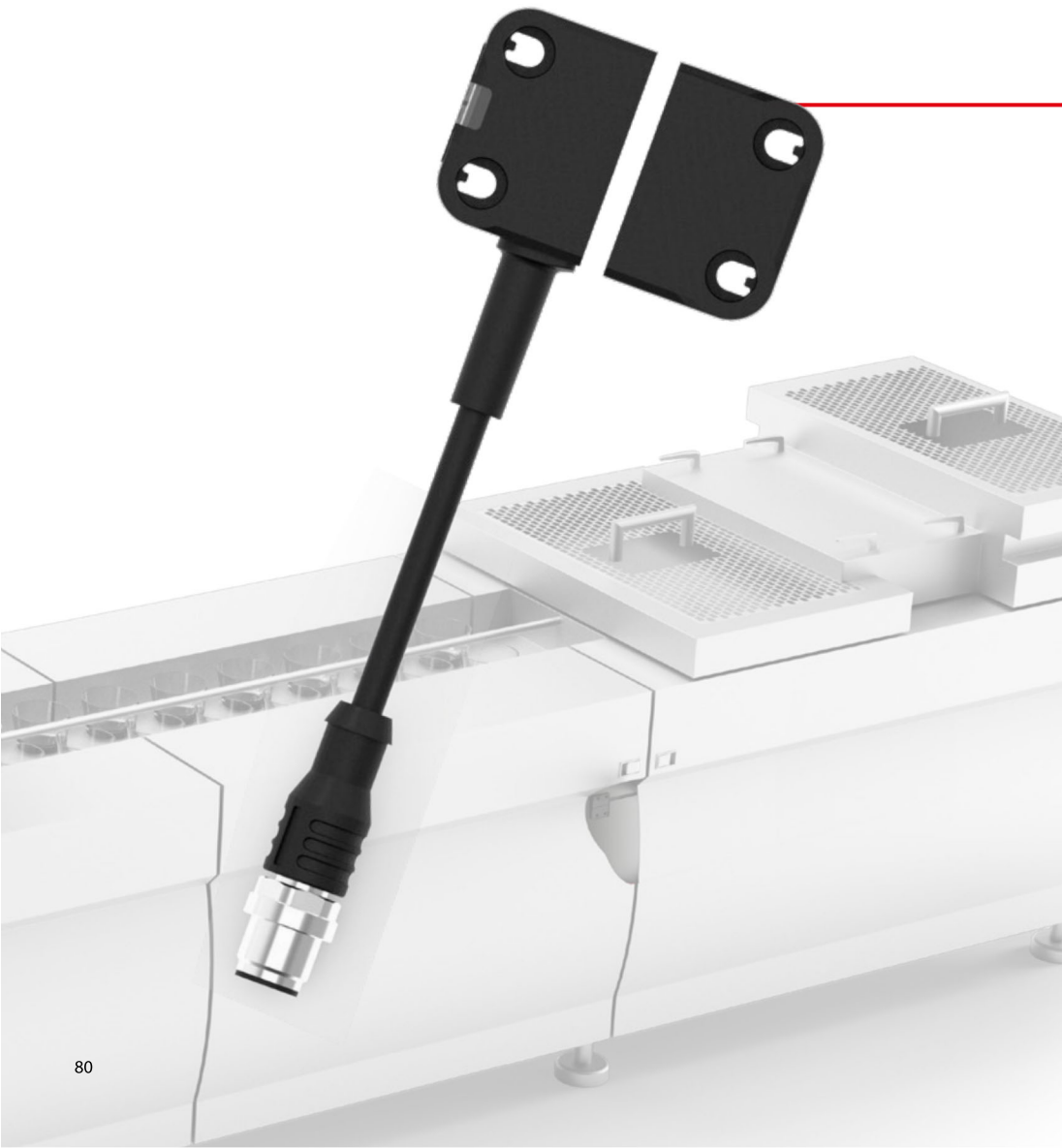


Magnetic coded safety sensor MAK-54



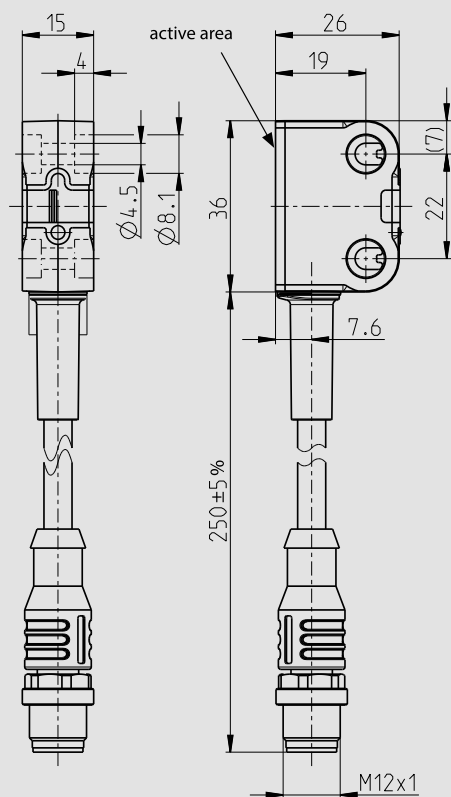
MANY BENEFITS AT A GLANCE

- Modern enclosure design, screw-on compatible with the SRF
- Compact
- No external moving parts
- Low susceptibility to non-metallic dusts and liquids
- Easy to clean
- Low coding according to ISO 14119
- Conditional tolerance of misalignment of the guard

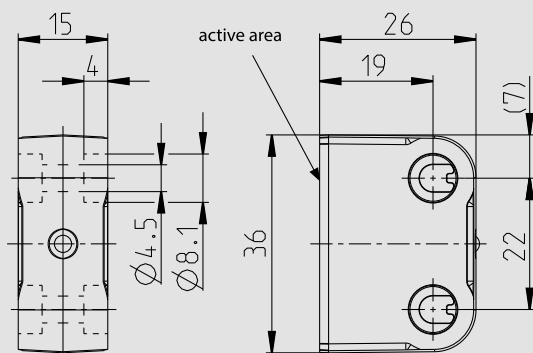
Technical data

maximum switching voltage	maximum switching current	maximum switching power	Temperature with movable cable	Temperature with fixed cable	Protection class
30 V DC	0,08 A	0,25 W	- 5 °C up to +70 °C	- 25 °C up to +70 °C	IP69
Coding of all sensors	Low coding level according to ISO 14119				

MAK 54 Sensor



MAK 54 Magnet



Sensors

Article number	Designation	Safety contacts	Signalling contacts	LED	Connection
6490654359	MAK-5426-C-0.25-M12	2NO	-	without	With M12 Pigtail
6490654360	MAK-5436-C-0.25-M12-M	2NO	1NO	without	With M12 Pigtail
6490654385	MAK-5426-CD-0.25-M12	1NC / 1NO	-	without	With M12 Pigtail
6490654386	MAK-5436-CD-0.25-M12-M	1NC / 1NO	1NO	without	With M12 Pigtail
6490654361	MAK-5426-C-0.25-M12-L	2NO	-	with	With M12 Pigtail
6490654362	MAK-5436-C-0.25-M12-LM	2NO	1NO	with	With M12 Pigtail
6490654387	MAK-5426-CD-0.25-M12-L	1NC / 1NO	-	with	With M12 Pigtail
6490654388	MAK-5436-CD-0.25-M12-LM	1NC / 1NO	1NO	with	With M12 Pigtail
6490654363	MAK-5426-C-2	2 NO	-	without	With 2 metres of open-ended cable
6490654364	MAK-5436-C-2-M	2NO	1NO	without	With 2 metres of open-ended cable
6490654389	MAK-5426-CD-2	1NC / 1NO	-	without	With 2 metres of open-ended cable
6490654390	MAK-5436-CD-2-M	1NC / 1NO	1NO	without	With 2 metres of open-ended cable
6490654365	MAK-5426-C-2-L	2NO	-	with	With 2 metres of open-ended cable
6490654366	MAK-5436-C-2-LM	2NO	1NO	with	With 2 metres of open-ended cable
6490654391	MAK-5426-CD-2-L	1NC / 1NO	-	with	With 2 metres of open-ended cable
6490654392	MAK-5436-CD-2-LM	1NC / 1NO	1NO	with	With 2 metres of open-ended cable

Other cable lengths available on request.



Magnet

Article number	Designation	S _{ao}	S _{ar}
6402054085	TK-54-CD/2	≥ 6 mm	≤ 15 mm

Options

- You will find single-ended and double-ended cordsets under accessories (from page 162)
- One-way screws for fastening in accordance with ISO 14119 can be found from page 172 onwards.